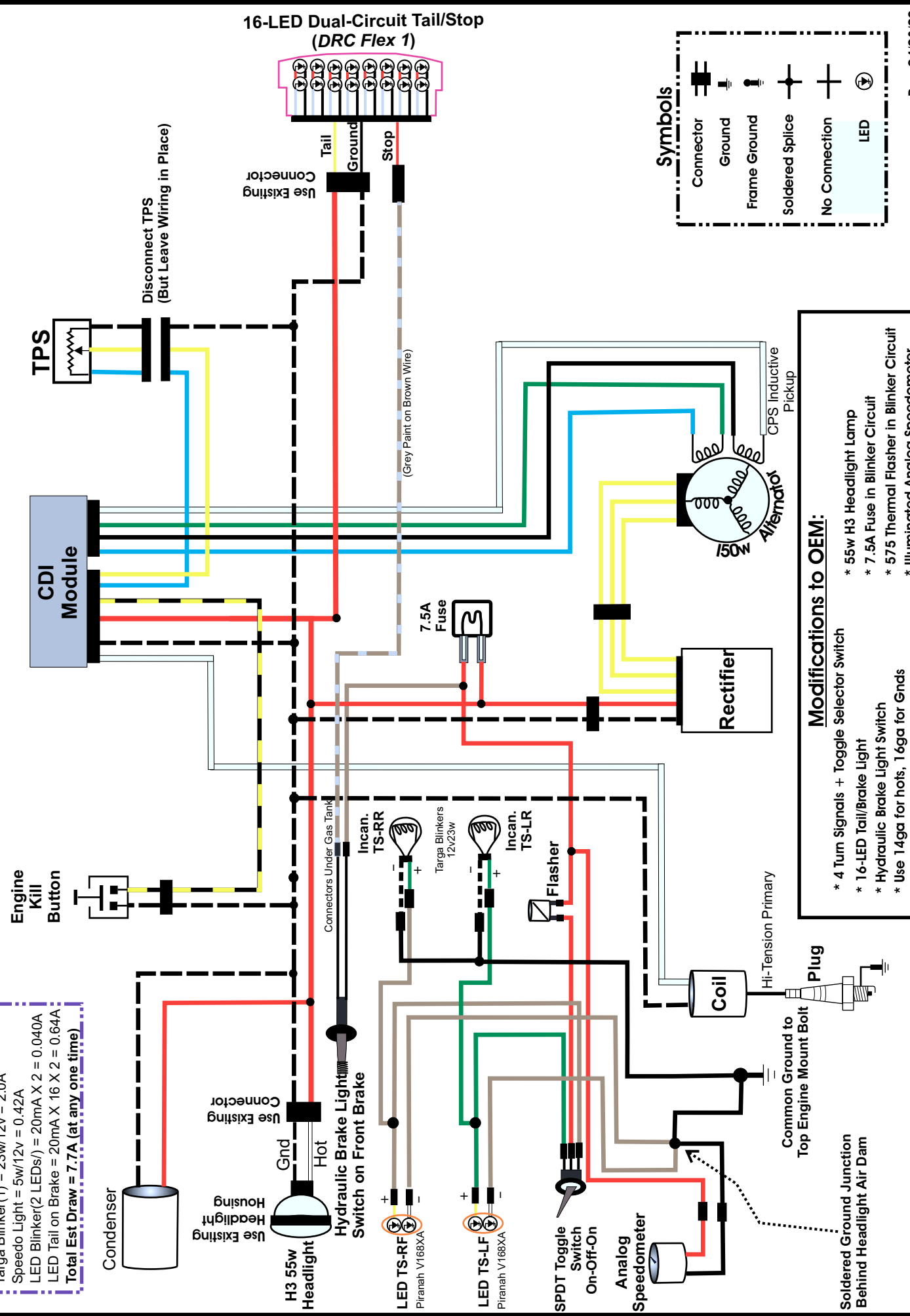


DR-Z400K Wiring Harness DS Mods

16-LED Dual-Circuit Tail/Stop (DRC Flex 1)

Est of Mods Power Draw

Amps Available = 150w/12.4v = 12.1A
 55w Lamp = 55w/12v = 4.6A
 Targa Blinker(1) = 23w/12v = 2.0A
 Speedo Light = 5w/12v = 0.42A
 LED Blinker(2 LEDs/) = 20mA X 2 = 0.040A
 LED Tail on Brake = 20mA X 16 X 2 = 0.64A
Total Est Draw = 7.7A (at any one time)



Symbols

- Connector
- Ground
- Frame Ground
- Soldered Splice
- No Connection
- LED

- Modifications to OEM:**
- * 4 Turn Signals + Toggle Selector Switch
 - * 55w H3 Headlight Lamp
 - * 16-LED Tail/Brake Light
 - * 7.5A Fuse in Blinker Circuit
 - * Hydraulic Brake Light Switch
 - * 575 Thermal Flasher in Blinker Circuit
 - * Use 14ga for hots, 16ga for Gnds
 - * Disconnect Throttle Position Sensor
 - * Illuminated Analog Speedometer

Expenses Incurred Adding Street-Legal Lights/Blinkers to DR-Z400K

Item	Cost	Vendor
16 ga Black ground wire (one 8' roll)	\$4.99	O'Reillys
14 ga Brown/Green line wire (two 20' rolls)	\$9.98	O'Reillys
14 ga Red Power wire (one 12' roll)	\$4.99	O'Reillys
Inline blade-type fuse holder	\$3.99	O'Reillys
Bussmann BP575 Trailer Flasher	\$3.99	O'Reillys
Piranha V168XA 2-LED Flasher/Marker Lights (2)	\$14.78	O'Reillys
H3 55w bulb	\$4.99	O'Reillys
SPDT Toggle Switch	\$2.99	O'Reillys
1/4" Shielded Spade Connectors 14ga	\$1.99	O'Reillys
Package bullet Connectors Male/Female 14 ga	\$1.99	O'Reillys
Heat Shrink Wire Joint Covers	\$1.96	Wal-Mart
LED Tail/Brake Light #4996	\$30.00	DRC
Incandescent Bullet Rear Flashers by Targa (2)	\$14.95	SurfSide Moto
Hydraulic Brake Switch	\$11.95	Electro Sport
Single Mirror	\$8.50	Cycle Gear
Analog Speedometer	\$64.95	Baja Designs
SS Screws/Ny-Lock Nuts for front Turn Signals (4)	\$2.75	Ace Hardware
7.5A Fuses (5)	\$2.47	Wal-Mart
1/4" Spade Connectors	\$2.23	Wal-Mart
Eyelet Connectors	\$2.23	Wal-Mart
Spiral Wire Loom Wrap	\$1.96	Wal-Mart
Total Shipping Charges	\$24.95	
Total Sales Tax	\$5.76	
Total Spend (including Speedometer)	\$229.34	
Total Spend Minus Speedometer	\$164.39	

* Had a bunch of wire, connectors, loom, fuses left over